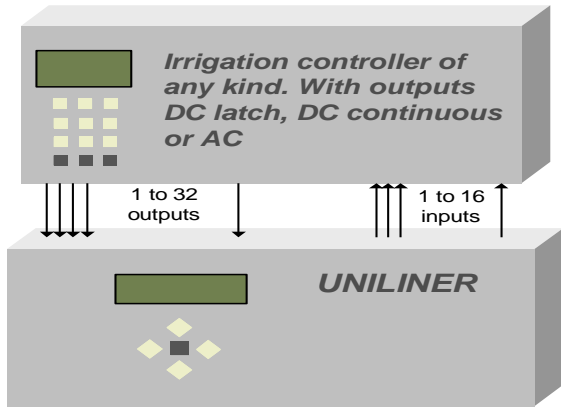


# UNILINER

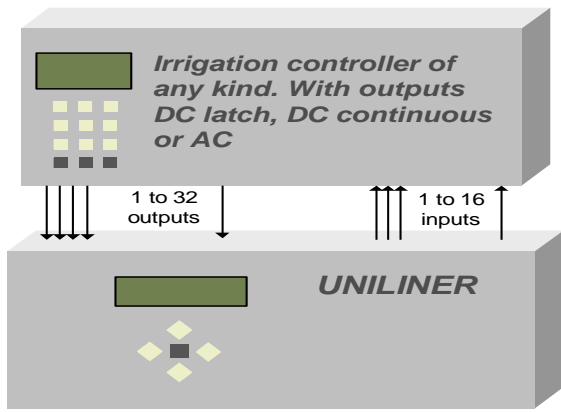
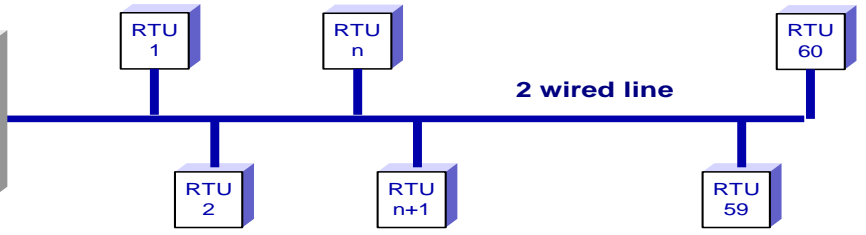


**A system that enhances the control power of irrigation controllers by acting as a wired or wireless bridge**

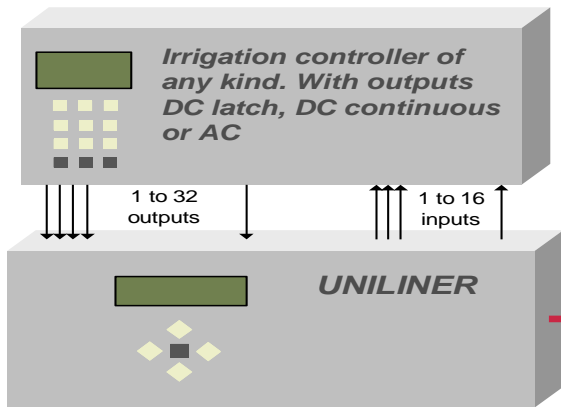
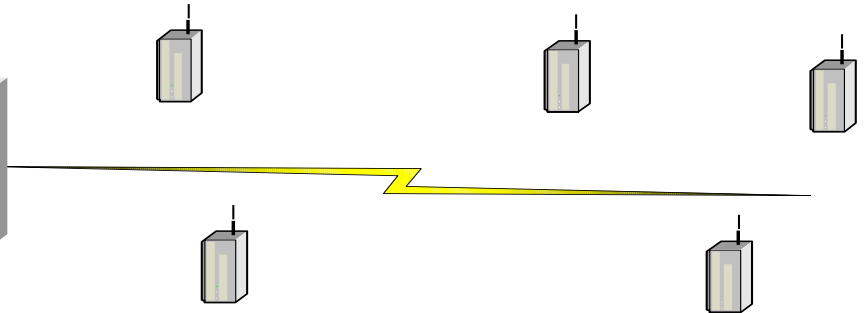
- The **UNILINER** has been designed to work in conjunction with irrigation controllers of any type for the purpose of improving the deployment ability and increasing the radius of operation of the controller. The **UNILINER** connects to the input/ output terminals of the controller and serves as a bridge to remote valves and sensors that may be located far beyond the range originally covered by the controller. Utilizing efficient radio or cable operated infrastructure The **UNILINER** offers a reliable and energy saving solution when remote accessories need to be controlled.
- The **UNILINER** is attached to the I/O terminals of the irrigation controller in place of the solenoids, water meters, fertilizer injectors or any other controlled accessory. The open/ close commands initiated by the controller are transmitted to the remote valves, and signals originated at the remote sensors are brought back to the controller's inputs.
  - Using a 2 wired cable with a cross section of 1.5 mm<sup>2</sup> a distance of 10 km can be reached. Alternatively radio operated RTUs offer a cable free connection to remote accessories. The radio system does not need any licensing because of the frequency used and the low transmission power. Under good conditions, in an open field with no obstacles, a distance of 3 km can be reached. The distance can be doubled by making some RTUs act as repeaters.
  - The RTUs installed in the vicinity of the remote valves and sensors, are of a modular structure- 2,4,6,8 outputs and 4 or 8 inputs (8 inputs exist only when using the 2 wired system). In one case the RTUs are connected through the 2 wired cables, receiving both the energy and the communication through the same 2 wires. In the second case the RTUs are equipped with radio receivers/ transmitters and they are powered locally by dry batteries or rechargeable batteries with solar panels. It is important to notice that the radio RTUs are communicating bidirectionally, receiving commands from the centre and returning the sensors status back to the centre.
  - Up to 60 RTUs can be connected through the 2 wired or the radio channels.
- The RTUs will operate 12v DC 2 wired pulse latching solenoids.
  - The **UNILINER** is equipped with a control panel for making definitions and for testing the system's operation.
- The **UNILINER** detects and reports malfunctioning RTUs.
  - The software enables grouping valves together to be irrigated in the same shift. The controller activates a single output but really the whole group will open.
- The **UNILINER** is a DC system that can be fully powered by solar energy.



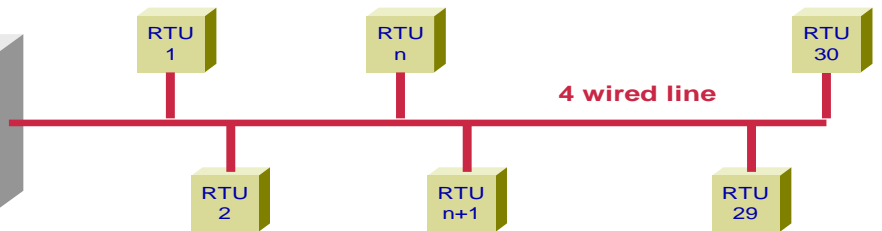
UNILINER with 2 wired modular RTU units. 2,4,6,8 outputs and 4,8 inputs .  
Up to 60 units per line



UNILINER with radio controlled bi-directional modular RTU, with 2,4,6,8 outputs and 4 inputs.  
Up to 60 units per line



UNILINER with 4 wired SAPIR type modular RTU units. 2,4,6,8 outputs and 4 inputs . Up to 30 units per line



**Goldtec Control Systems Pty Ltd**  
 Telephone: 08 83899477 Fax: 08 83899466  
 E-mail: [info@goldtecsystems.com.au](mailto:info@goldtecsystems.com.au)  
 Website: [www.goldtecsystems.com.au](http://www.goldtecsystems.com.au)